



2015 - 2016 and older model Polaris RZR or with any 1 3/4" horizontal tubing on other makes of UTV's

Thank You for considering or buying the SawGrip ATV Chainsaw Carrier

INSTALLATION

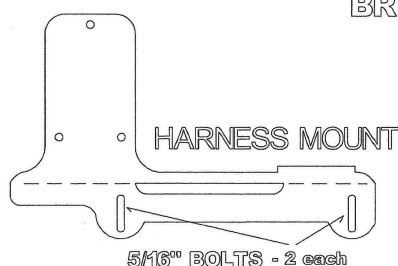
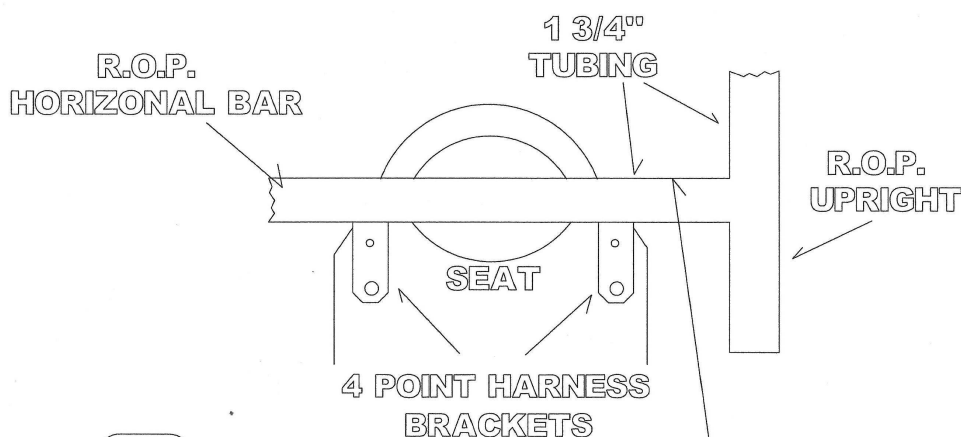
4 point harness SawGrip will mount with 2 - 5/16" bolts furnished. Slide up or down for height. See below Top mount Sawgrip will either attach to the top or bottom of horizontal 1 3/4" R.O.P. tubing with 2 - U-bolts furnished. Slide back and forth for proper fit. The horizontal mount SawGrip will work with any other make of UTV with 1 3/4" R.O.P. tubing.

SET RESISTANCE

After the SawGrip is bolted to the ATV rack, open the bar clamp enough so chainsaw bar will go between the rubber pads. Tighten the 2 bottom lock nuts leaving about 1/8" or less gap. (FIG 4) then tighten top T handle until snug. Pull on saw. If the saw moves easily in or out you may have to tighten the bottom 2 lock nuts more. Once the right tension is applied you can put the saw in or out by just loosening the top T handle. No other tightening should be needed to the 2 bottom nuts. It is recommended to remove saw from the SawGrip before transporting ATV on trailer or any other means of transportation. If long trips are planned with your ATV we suggest you tighten the top T handle securely so that the saw is held firmly.

Total chainsaw length must not exceed the width of the ATV.

RZR AND OTHER 1 3/4" TUBING
PASSENGER SIDE BACK VIEW



TOP MOUNT ALL 1 3/4" TUBING

